

322C5203

THIRD ANGLE PROJECTION

DIMENSIONS IN INCHES UNLESS OTHERWISE STATED

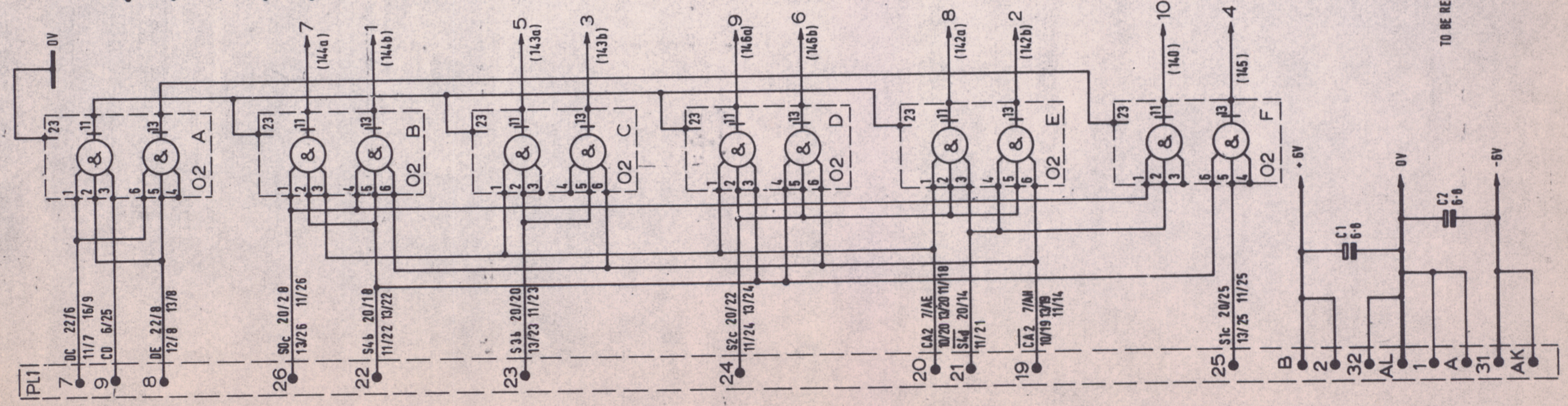
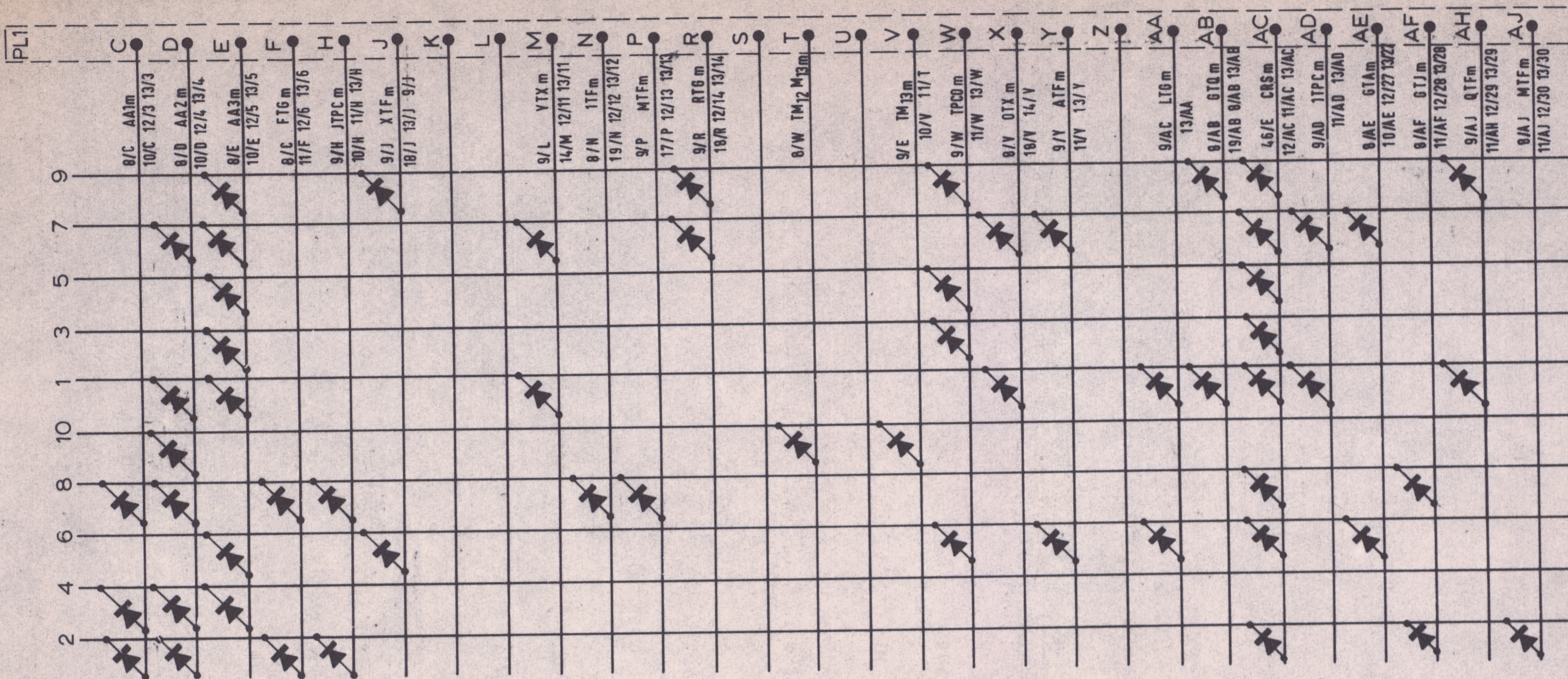
DO NOT SCALE DRAWING

USED ON  
C4078

34

TITLE:  
BOARD A-GH POS.12  
CONTROL MATRIX  
FUNCTION 14

TO BE READ IN CONJUNCTION WITH 322A7191



LATEST MI INCORPORATED MI... 2459 2996

ISSUE No.	1
ALTERATION No.	1740
DATE	13.7.66
INITIALS	L.J.E
PARTS LIST No.	
DRAWN	L.J.EVERETT
CHECKED	CS 637
APPROVED	[Signature]
DATE	7-11-66

MATERIAL \_\_\_\_\_ FINISH \_\_\_\_\_

© Elliott Brothers (London) Limited  
THIS DRAWING IS THE PROPERTY OF  
ELLIOTT BROTHERS (LONDON) LIMITED  
AND MAY NOT BE COPIED, REPRODUCED  
OR DISCLOSED FOR ANY PURPOSE EXCEPT  
AS AUTHORIZED BY WRITING FROM ELLIOTT  
BROTHERS (LONDON) LIMITED

TOLERANCES  
LINEAR  
UNMACHINED SURFACES ±  
MACHINED SURFACES ±  
ANGULAR DIMENSIONS ±  
UNLESS OTHERWISE STATED

ELLIOTT BROTHERS (LONDON) LTD

TITLE  
BOARD A-GH POS.12  
CONTROL MATRIX  
FUNCTION 14

SCALE  
DRAWING No.  
322C5203